



*Meyer 8' Lot Pro with optional curb guards, molded deflector and Nite Saber II lights.*

## Better results in less time.

For contractors who take pride in a finished lot that looks like summertime, the Lot Pro™ features the tallest and most aggressive contractor-class moldboard on the market. Thirty-two inches tall with a 75° attack angle, Lot Pros deliver better overall clearing performance in less time. And the aggressive attack angle allows for superior backdragging performance.



*Lot Pro moldboards are available in corrosion resistant stainless steel.*

*Lot Pro plows are eligible for a full 5-year warranty. See back cover for details.*

# Faster clearing, more reliable, easier to use.

With a completely new design, the Lot Pro™ delivers the performance contractors need and demand. This all-new plow clears snow faster and is more reliable and easier to use than any other plow on the market. Lot Pro's are fleet-friendly because all moldboards and controllers are interchangeable with the Meyer® EZ-Mount Plus™ mounting system. Lot Pro's are built using Meyer's proprietary Reliable Over-time Construction (ROC) process. ROC is the result of manufacturing improvements and state-of-the-art technology combined with stringent quality control procedures.



Steel Moldboard

Poly Moldboard



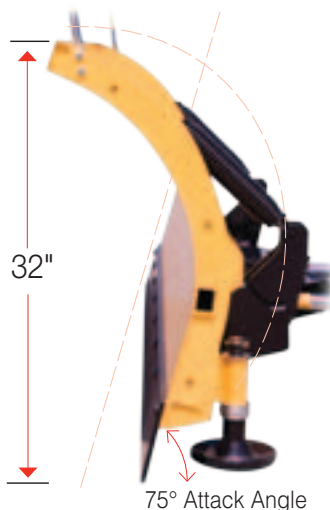
### Optional Multi-Position Wings

Meyer EZ-Wing™ MPs can easily be positioned in boxed, straight or scoop position for the ultimate in plowing performance. Adjustments can be made on the fly without using any tools. Up to nine configurations are possible.

### EZ On, EZ Off in Seconds.

The Lot Pro's EZ-Mount Plus™ mounting system attaches or detaches in under a minute, leaving the vehicle with an off-the-assembly-line appearance when not attached. The EZ-Mount Plus system comes with just one patented plug to connect/disconnect. And Meyer's on board, free-standing jack stand allows you to adjust the plow's height on uneven or shifting surfaces for easy on/off. The Lot Pro can also be attached using the EZ-Mount Xpress or Classic® System.

### Tallest, Most Aggressive Moldboard.



75° Attack Angle

### Meyer Lot Pro Product Specifications

Model #	Blade Type	Moldboard Length	Moldboard Height	Moldboard Gauge	Vertical Ribs	Plow Trip Springs	Cutting Edge	Average Width at Full Angle	Angling Rams	Weight* Complete
LP-7.5	Full-Trip	7'6"	32"	12 Steel	6	4	1/2" x 6"	81"	1 1/2" x 10"	791 lb.
LP-8.0	Full-Trip	8'	32"	12 Steel	6	4	1/2" x 6"	86"	1 1/2" x 10"	820 lb.
LP-8.5	Full-Trip	8'6"	32"	12 Steel	6	4	1/2" x 6"	92"	1 1/2" x 10"	835 lb.
LP-9.0	Full-Trip	9'	32"	12 Steel	6	4	1/2" x 6"	97"	1 1/2" x 10"	843 lb.
LP-10	Full-Trip	10'	32"	10 Steel	6	6	1/2" x 6"	103"	2" x 10"	943 lb.
LPP-7.5	Full-Trip	7'6"	32"	3/8" Poly	6	4	1/2" x 6"	81"	1 1/2" x 10"	893 lb.
LPP-8.0	Full-Trip	8'	32"	3/8" Poly	6	4	1/2" x 6"	86"	1 1/2" x 10"	912 lb.
LPP-8.5	Full-Trip	8'6"	32"	3/8" Poly	6	4	1/2" x 6"	92"	1 1/2" x 10"	932 lb.
LPP-9.0	Full-Trip	9'	32"	3/8" Poly	6	4	1/2" x 6"	97"	1 1/2" x 10"	943 lb.
LPS-8.0	Full-Trip	8'	32"	12 SS	6	4	1/2" x 6"	86"	1 1/2" x 10"	972 lb.
LPS-9.0	Full-Trip	9'	32"	12 SS	6	4	1/2" x 6"	97"	1 1/2" x 10"	1010 lb.
LPP-10	Full-Trip	10'	32"	3/8" Poly	6	6	1/2" x 6"	103"	2" x 12"	1000 lb.

\*Average mount weight is 125 lbs.  
SS = Stainless Steel

Attachments and accessories pages 24 & 25.